

CEMB USA

K9



DIGITAL WHEEL BALANCER

CEMB BALANCING MACHINES K9

Features

- Universal space saving wheel balancer with excellent technical specifications combining a sturdy structure with attractive and modern design
- K9 balances steel & light alloy wheels of cars, light trucks, motorcycles & scooters (with optional adaptors)
- Self-Diagnosis and Self-Calibration
- Menu for quick selection of the following:
 - ounces to grams
 - inches to millimeters
 - unbalance threshold 0.1 or 0.25 oz. (1 or 5 g)
- Optimization program for compensation of rim and tire unbalance
- "Static" program--plus 4 ALU programs for PAX, light alloy or special shaped rims
- Standard Quick Nut Mounting
- One Button Split & Hidden Weight Program
- Automatic Distance & Diameter Entry
- Direct Weight Location Program (no repositioning of stick-on weights)

Standard Wheel Accessories

- Quick release wingnut with reverse mounting cup & no-mar ring
- 3 cones covering holes 1.69" (43 mm) to 4.33" (110 mm)
- 3 pegs for cone storage
- Rim width gauge for measuring wheel width
- 40 mm threaded shaft

Technical Specifications

- Power Supply 110 V
- Max. Power Supply absorbed 0.03 Kw
- Shaft Size 40 mm
- Balancing Speed < 100 rpm
- Balancing Accuracy < 1 g
- Rim Diameter 10" - 30"
- Rim Width 1.5" - 20"
- Max Wheel Weight 165 lbs or (75 Kg)
- Operating Temperature 32°-113° F (0°-45° C)
- Average Cycle Time 6 - 8 seconds
- Shipping Dimensions (L 26" x W 46" x H 46")
- Gross Shipping Weight (250 lbs.)



Manufacturer reserves the right to make any and all alterations it may consider suitable without notice.

CEMB USA BL Systems

2873 Ramsey Road • Gainesville, GA 30501
Phone: 678-717-1050 • Fax: 678-717-1056
www.cemb-usa.com • info@cemb-usa.com

SPLIT & Hidden Weight Program

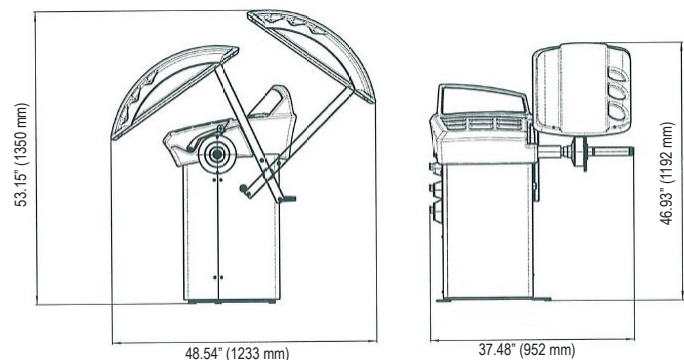


Optional Wheel Accessories

- 2 piece truck cone kit fits hole from 3.82" (97mm) to 7.09" (180 mm).
- 3 piece truck cone kit (same as above, but includes, G.G. spacer ring to fit: (Ford F-350, 450, 550)
- 8.5 super cone (for G.M.C.-6500 series & International using 19.5 rims) Note: must be used w/3 piece cone kit
- RL cup (8.11" or 206 mm) for alloy rims (includes no-mar ring)
- SR-USA adaptor (for lug centric wheels)
- Universal bolt pattern adaptor (for wheels with 3-4-5 holes or without center hole)
- Motorcycle adaptor
- Splash Guard

K9 Balancing Machine Foot Print

(shown with optional Splash Guard)



Distributed by:

Related Model C71